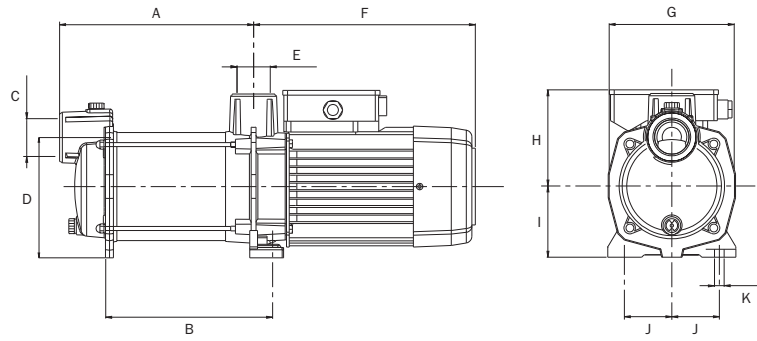


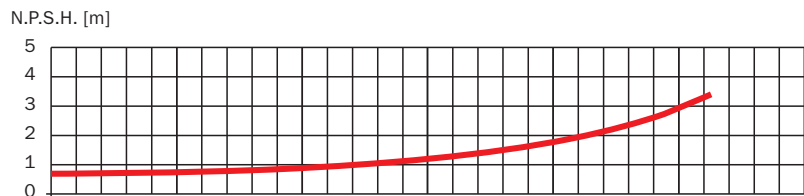
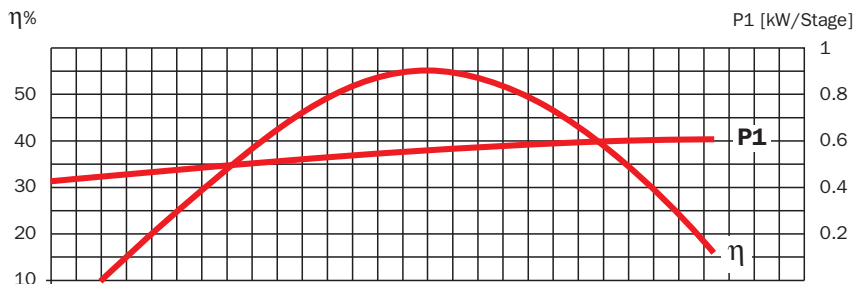
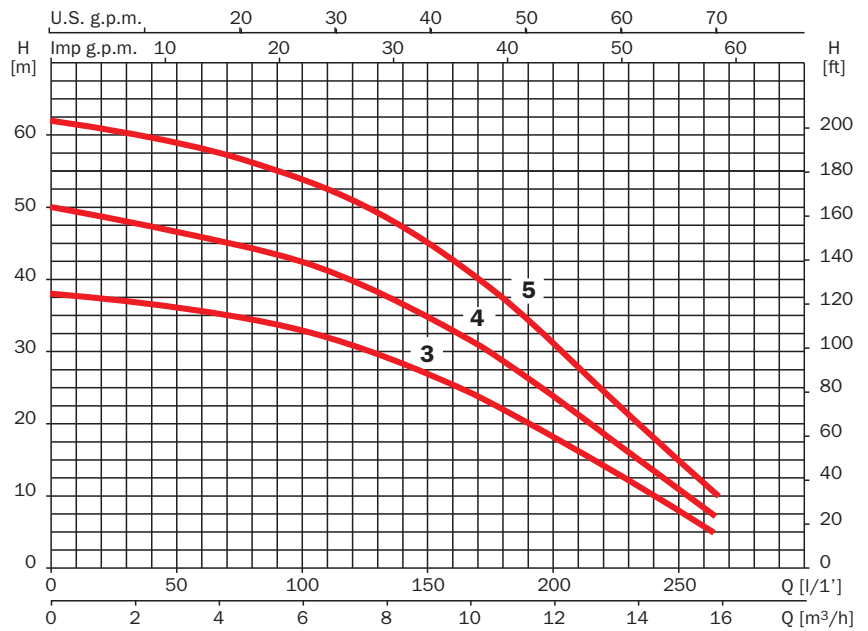


Prisma45 N



	A	B	C	D	E	F	G	H	I	J	K	Kg
Prisma45 3 N	245.9	211.6	1 1/2"	152	1 3/4"	281.5	158	125.3	90	60	12	22.6/18.6
Prisma45 4 N	276.6	242.3	1 1/2"	152	1 3/4"	281.5	158	125.3	90	60	12	23.7/21.2
Prisma45 5 N	307.3	273	1 1/2"	152	1 3/4"	281.5	158	125.3	90	60	12	25.3

Curvas de funcionamiento a 2900 r.p.m.
Performance curves at 2900 r.p.m.



230 V 50 Hz	230/400 V 50 Hz	A			P1 (kW)		kW	HP	μF	L/1'	25	50	75	100	125	150	200	250
		1~ 230 V	3~ 230 V	3~ 400 V	1~	3~												
Prisma45 3M N	Prisma45 3 N	7.9	5.2	3	1.8	1.7	1.1	1.5	25		37	36	35	33	30	27	18	8
Prisma45 4M N	Prisma45 4 N	10	6.9	4	2.2	2.2	1.5	2	30		48	47	45	42	39	36	24	11
	Prisma45 5 N	-	8.6	5	-	2.8	2	3	-		61	59	56	54	50	45	31	15